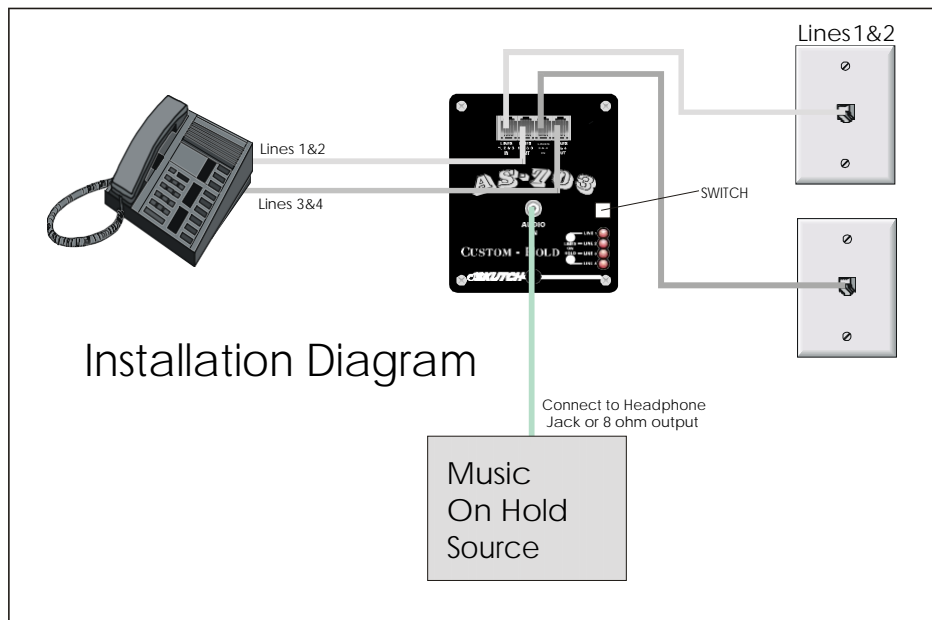


Thank you for purchasing the Skutch AS-703-SBC Promotion-On-Hold Module. This module was designed to work ONLY with the **SBC 410** or **Casio SI460 telephone**. With this Module, all calls that are placed "ON HOLD", from any SBC 410 or Casio SI460, will hear the music on hold audio. When the call is re-answered, the music on hold audio will automatically disconnect.

• Music Cut Off Note

It is normal to hear a burst of music or message on hold when a call is picked up from a hold condition. The maximum length of the burst should be under 1 second.



• Operation

When the AS-703-SBC is connected to power, the LEDs will flash, and music on hold audio will play over the telephone lines, three times then turn OFF. When a line is placed "ON HOLD", the corresponding LED on the AS-703-SBC will light indicating that music on hold audio is being coupled to that telephone line. The unit will play music on hold audio to all calls that are placed ON HOLD. Make sure that you adjust the level of the music on hold to the proper level on the audio source.

• Troubleshooting Guide

No Audio but Lights Turn On, on the AS-703-SBC

- Make sure the Message On Hold Source is playing.
- Make sure the Message On Hold Source volume is turned up.
- Make sure the audio cable is connected. Digital players use the 8 ohm or Speaker out, and use the cable that came with the digital player.
- Try re-setting the STATION ID for each of the phones, start with 22 and go down from there. (11-22)

Music does not always shut OFF or turn ON.

- Re-set the STATION ID number for EACH telephone. Start with 22 and go down.

• Tech Support - 916-786-6186

If you have any problems getting the unit to work properly feel free to give us a call. Technical Support is available between the hours of 7:30 AM and 4:30 PM Pacific Time, Monday through Friday.

TelephoneOnHold.com
1-866-359-4653

Music On Hold, Messages On Hold, Commercials On Hold
by TelephoneOnHold.com



• ONE YEAR LIMITED WARRANTY

This SKUTCH PRODUCT is warranted against defects for a period of one (1) year from the date of the original invoice. Within this period, we will repair it without charge for parts and labor. To obtain warranty service the product must be returned, at the customer's expense, to SKUTCH Electronics along with a copy of the original invoice. After the unit has been repaired, SKUTCH will ship the PRODUCT back via UPS GROUND service at our expense. If any other form of return shipment is requested, the customer will pay for 100% of the shipping cost.

This Warranty does not apply if in the sole opinion of SKUTCH Electronics, the PRODUCT has been damaged by lightning or any other Acts of God, or by accident, misuse, neglect, or improper packing, shipping, modification or servicing by other than an authorized SKUTCH Service Center.

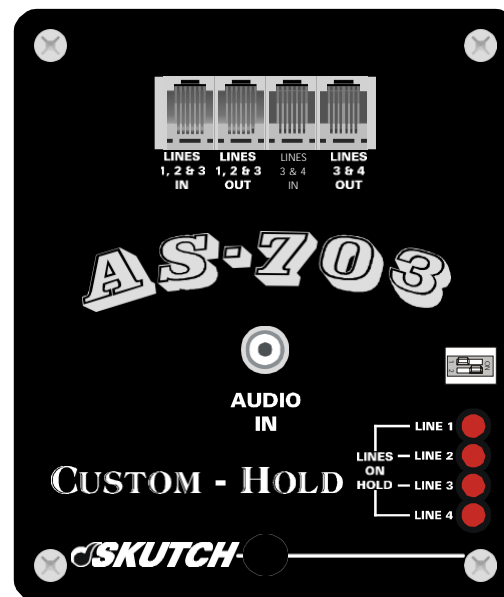
EXCEPT AS SPECIFICALLY PROVIDED IN THIS AGREEMENT, THERE ARE NO OTHER WARRANTIES, EXPRESSED OR IMPLIED, INCLUDING, BUT NOT LIMITED TO, ANY IMPLIED WARRANTIES OR MERCHANTABILITY OR FITNESS FOR A PARTICULAR PURPOSE AND IN NO EVENT SHALL SKUTCH ELECTRONICS BE LIABLE FOR LOSS OF PROFITS OR BENEFITS, INDIRECT, SPECIAL, CONSEQUENTIAL OR OTHER SIMILAR DAMAGES ARISING OUT OF ANY BREACH OF THIS WARRANTY OR OTHERWISE.



Music On Hold, Messages On Hold, Commercials On Hold by TelephoneOnHold.com

"Telecommunication Products to solve Telecommunication Problems"

AS-703-SBC



Four Line Promotion-On-Hold Module for SBC 410 and Casio SI460 Telephones V1.00